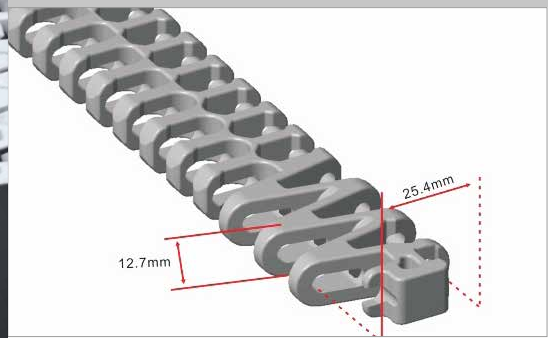


GC254-24B00



Pitch	Min. width	Open area	EU	Ø Rod	Flight	Sidewall	Curve
25,4 mm	301 mm	42 %	✓	4,5 mm	✗	✗	✓

Material	Color	Belt strength				Temperature		Belt weight
		Straight		Curve		°C (min.)	°C (max.)	Kg/m ²
		Kg/m width	N/m width	Kg/m width	N/m width			
Polypropylene PP	BL* WH*	890	8900	89	890	1	100	5,9
Acetal POM	BL WH	890	8900	89	890	- 40	80	8,5

BL= Blue, WH= White.

*Consult availability.

