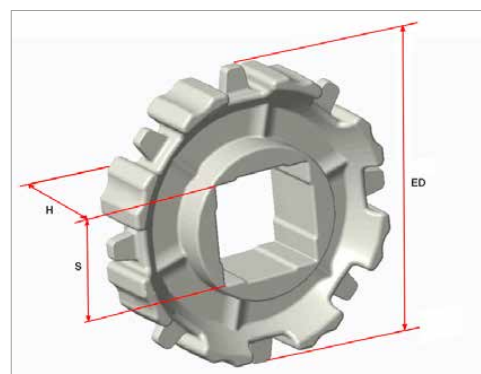


Pitch	Min. width	Open area	EU	Ø Rod	Flight	Sidewall	Curve
50 mm	200 mm	27 %	✓	5,8 mm	✓	✗	✗

Material	Color	Resistance of the straight belt		Temperature		Belt weight
		Kg/m width	N/m width	°C (min.)	°C (max.)	Kg/m ²
Polypropylene PP	BL WH	2795	27950	1	100	8
Polyethylene PE	BL NT*	1840	18400	- 60	60	8
Acetal POM	BL WH	4200	42000	- 40	80	12

BL= Blue, NT= Natural, WH= White.

*Consult availability.



Sprocket dimensions

Nº teeth	Ø pitch PD (mm)	Ø external ED (mm)	Square bore S (mm)	Round bore D (mm)	Width H (mm)	Keyway K (mm)
8	130,66	125,2	40	-	33,8	-
10	161,80	157,0	40	-	33,8	-
12	193,19	189,2	38,1 / 40	30 / 35	33,8	8 x 8