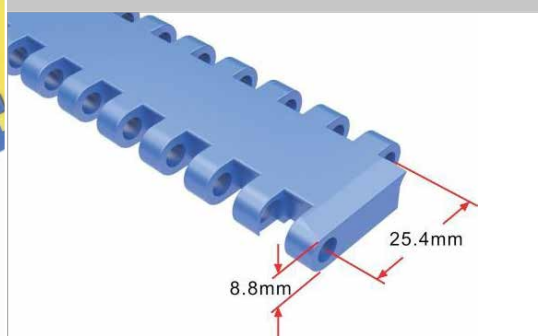


## F254HD-50AHD2

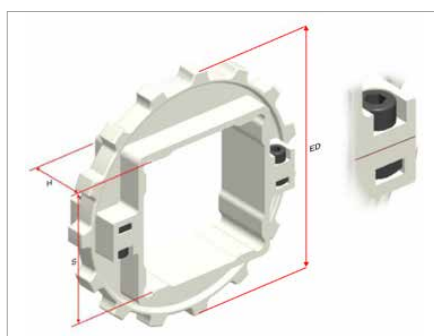
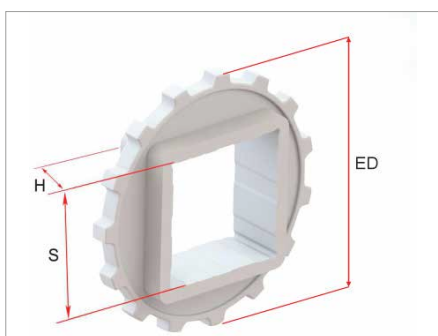


| Pitch   | Min. width | Open area | EU | ø Rod  | Flight | Sidewall | Curve |
|---------|------------|-----------|----|--------|--------|----------|-------|
| 25,4 mm | 76 mm      | 0 %       | ✓  | 4,9 mm | ✓      | ✗        | ✗     |

| Material            | Color     | Resistance of the straight belt |           | Temperature |           | Belt weight       |
|---------------------|-----------|---------------------------------|-----------|-------------|-----------|-------------------|
|                     |           | Kg/m width                      | N/m width | °C (min.)   | °C (max.) | Kg/m <sup>2</sup> |
| Polypropylene<br>PP | BL* WH*   | 2000                            | 20000     | 1           | 100       | 5,4               |
| Acetal<br>POM       | BL WH* YL | 3500                            | 35000     | - 40        | 80        | 8,3               |

BL= Blue, YL= Yellow, WH= White.

\*Consult availability.



### Sprocket dimensions

| N° teeth | ø pitch PD (mm) | ø external ED (mm) | Square bore S (mm)                   | Round bore D (mm)     | Width H (mm) | Keyway K (mm) |
|----------|-----------------|--------------------|--------------------------------------|-----------------------|--------------|---------------|
| 10       | 82,20           | 80                 | 38,1 / 40                            | 25 / 25,4             | 25           | 8 x 8         |
| 12       | 98,14           | 96,7               | 38,1 / 40                            | 25,4 / 30 / 38,1 / 40 | 25           | 8 x 8         |
| 12-Split | 98,14           | 96,7               | 38,1 / 40                            | 38,1                  | 25           | 9,52 x 4,76   |
| 15       | 122,17          | 121,3              | 38,1 / 40 / 50 / 60 / 63,5           | 25,4 / 35 / 40 / 50   | 29,5         | 8 x 8         |
| 15-Split | 122,17          | 121,3              | 38,1 / 40 / 50 / 60 / 63,5 / 65      | -                     | 33           | -             |
| 18       | 146,27          | 146                | 38,1 / 40 / 45 / 50 / 60 / 63,5 / 64 | 25,4 / 30 / 50        | 25           | 8 x 8         |
| 18-Split | 146,27          | 146                | 38,1 / 40 / 60 / 63,5                | 50,8                  | 35           | 14 x 5        |
| 19-Split | 154,32          | 154,5              | 38,1 / 40 / 50 / 50,8 / 60 / 65      | -                     | 35           | -             |
| 24-Split | 194,60          | 194                | 60 / 65                              | -                     | 52           | -             |