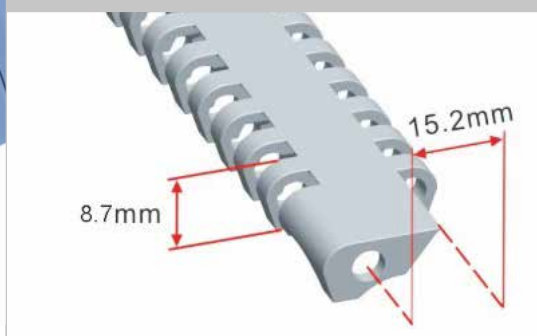


F152-11AN00



Pitch	Min. width	Open area	EU	∅ Rod	Flight	Sidewall	Curve
15,2 mm	152 mm	0 %	✓	4,5 mm	✓	✗	✗

Material	Color	Resistance of the straight belt		Temperature		Belt weight
		Kg/m width	N/m width	°C (min.)	°C (max.)	Kg/m ²
Polypropylene PP	BL WH*	1545	15450	1	100	5,2
Polyethylene PE	BL NT*	1470	14700	- 60	60	6
Acetal POM	BL WH*	1650	16500	- 40	80	7,5

BL= Blue, NT= Natural, WH= White.

*Consult availability.

	Min. turning diameter	
	Flexing ∅ A (mm)	Back flexing ∅ B (mm)
	25	60

Accessories

Type	Height (mm)	Width (mm)	Molded indent (mm)
Straight flight 	50,8	152,4	-

Consult availability of material and color.